



LOOKBOOK

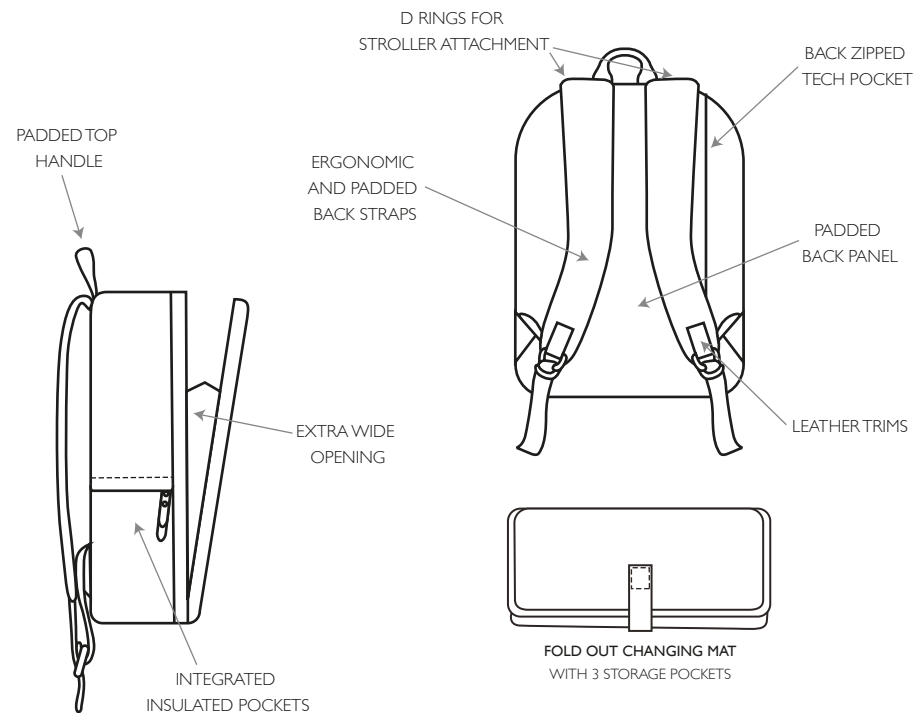
AUTUMN/WINTER

2018

storksak



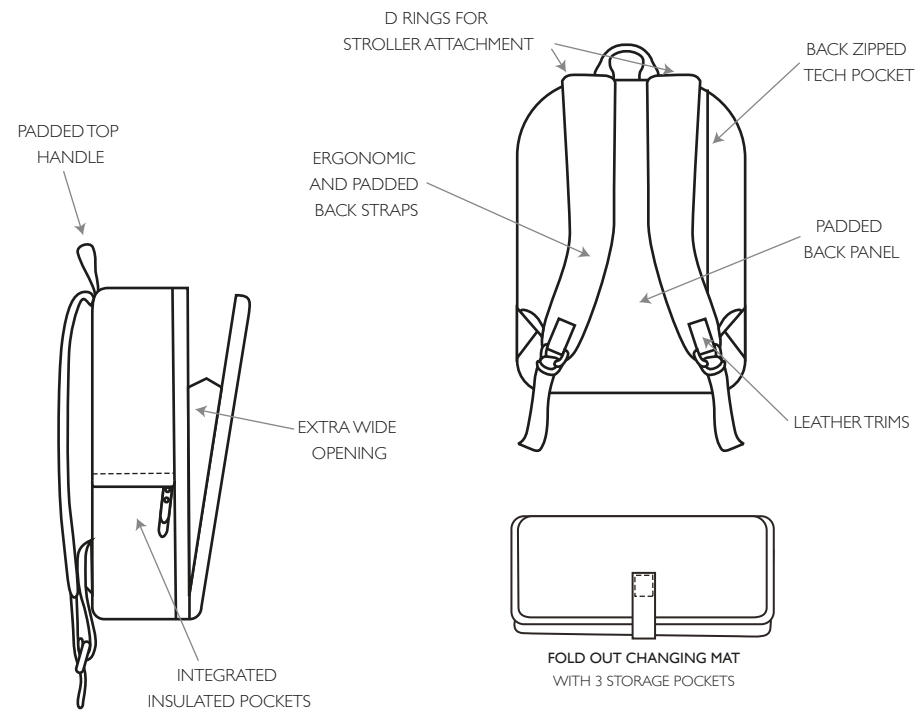
CHARCOAL



TAYLOR



BLACK



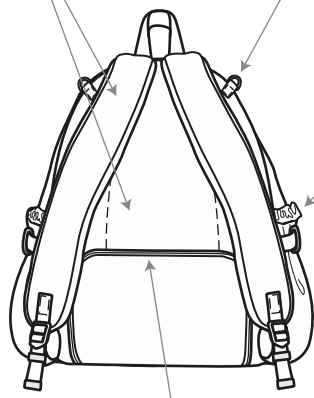
HERO LUXE



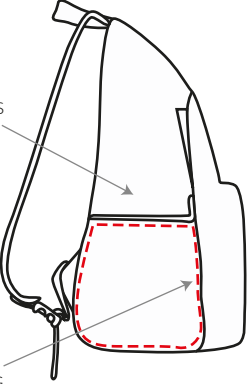
BLACK

PADDLED BACK
PANEL AND STRAPS

D RINGS FOR
STROLLER
ATTACHMENT



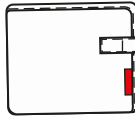
INTERNAL CAN CONVERT
FROM 1 TO 2 COMPARTMENTS
WITH ADJUSTABLE 'SHELF'



ELASTICATED
SIDE POCKETS

LOWER COMPARTMENT
WITH LAMINATED LINING

LOWER COMPARTMENT
ACCESSED THROUGH BACK
ZIPPED POCKET



CHANGING MAT



INSULATED FAB BAG